

SEACLIPPER 24 DS

Day Sailer

A fast & fun, trailerable trimaran by renowned multihull designers Jim Brown and John Marples

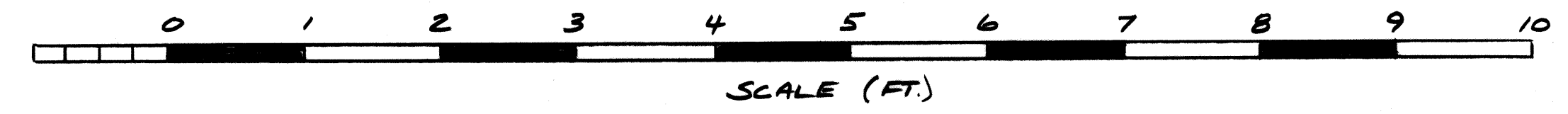
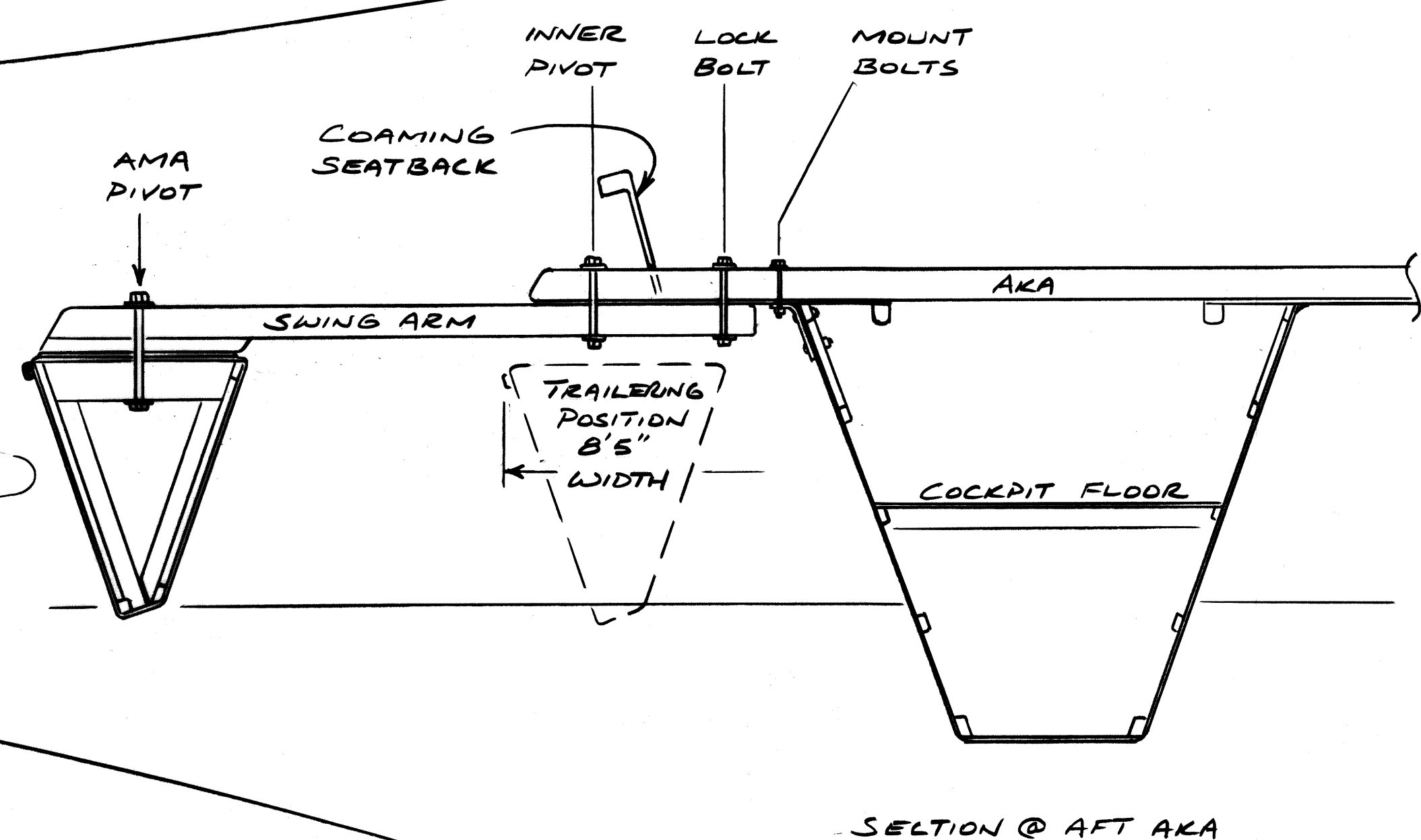
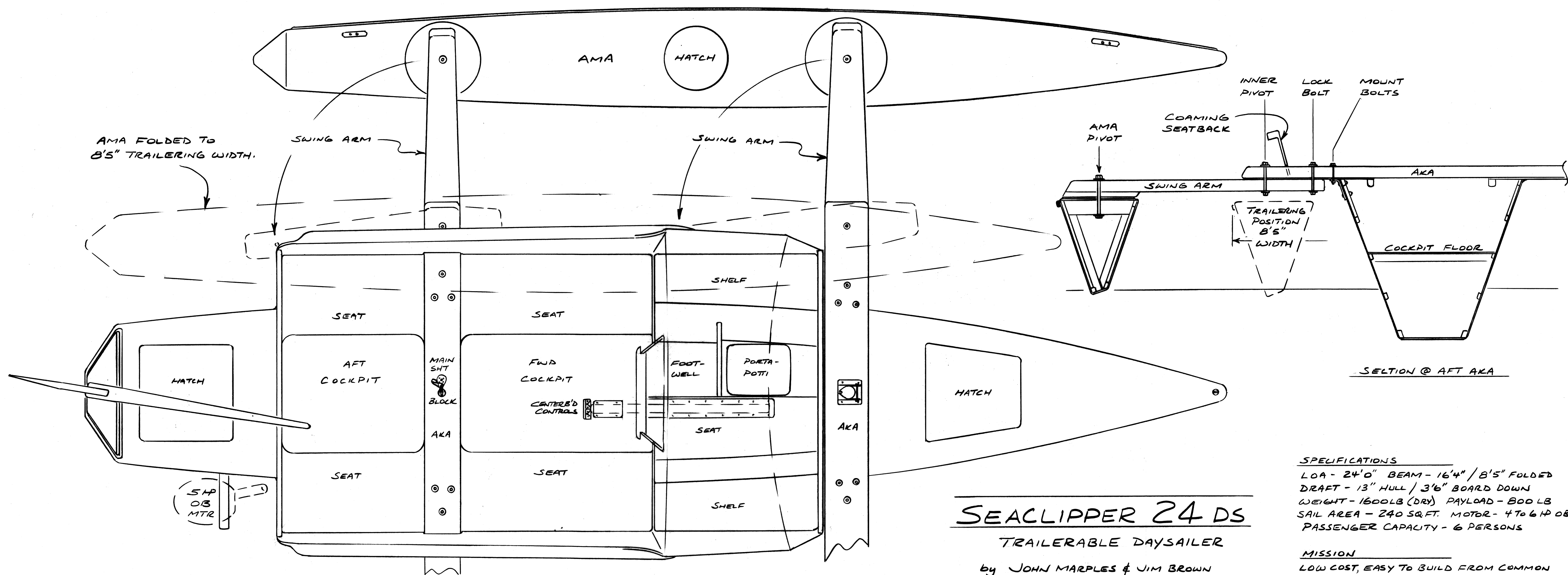
James W. Brown
Foster, VA 23056

STUDY PLANS

Compliments of Seaworthy Solutions, custom boatbuilders

Seaworthy Solutions
Scott Watts, LLC
870 Kings Estate Rd
St. Augustine, FL 32086
(904) 540-2291

www.SeaworthySolutions.net



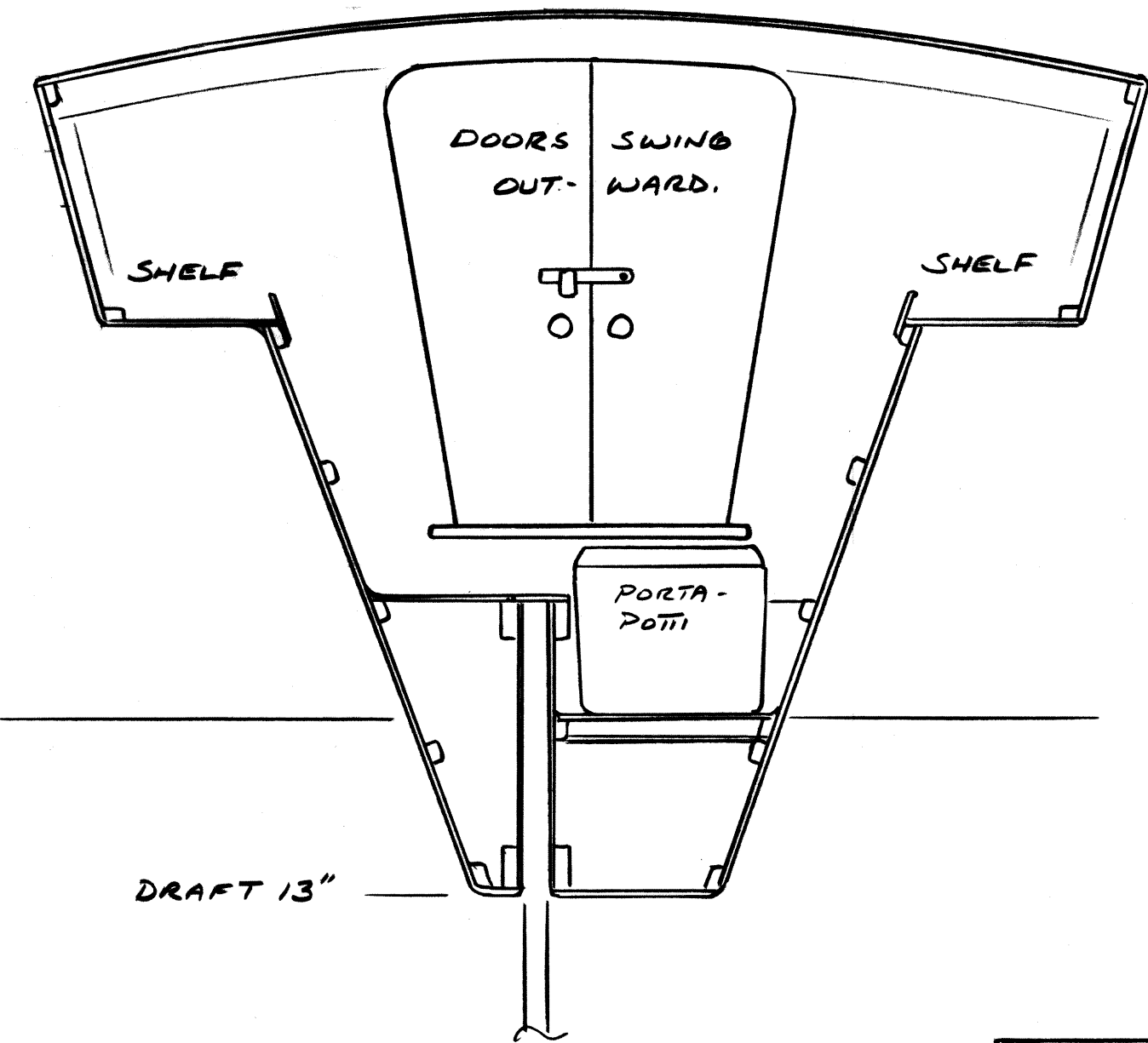
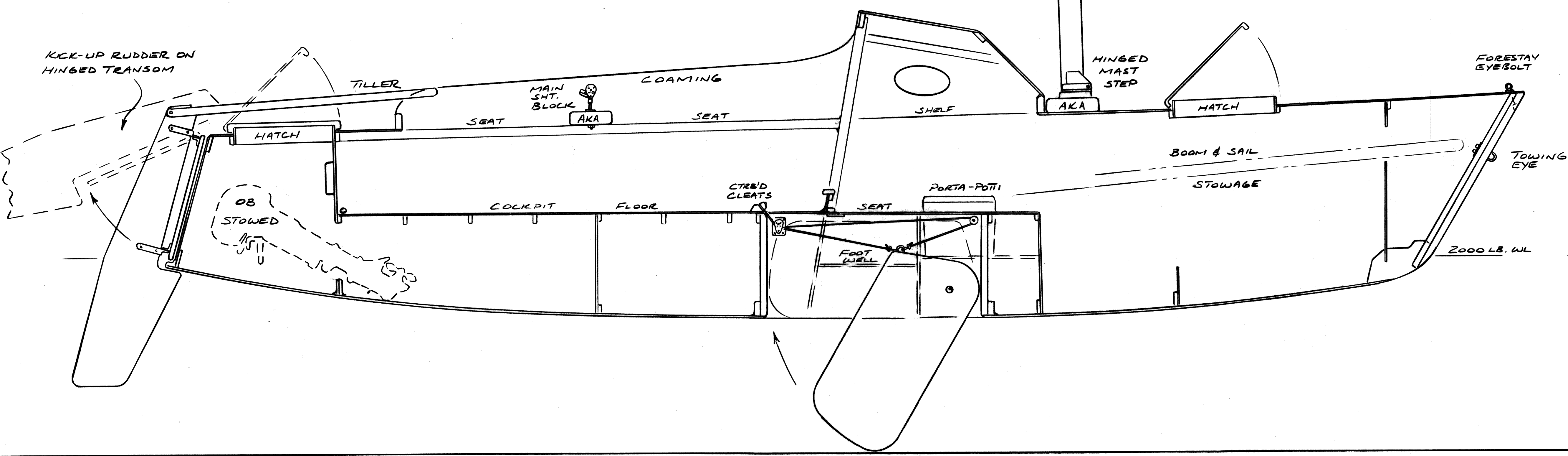
SEACLIPPER 24 DS

TRAILERABLE DAYSAILER

by JOHN MARPLES & JIM BROWN
 SEARUNNER MULTIHULLS
 17240 HILLCREST AVENUE
 SONOMA, CA, 95476 USA.
 MARPLESMARINE@COMCAST.NET
 SCALE: 1"=1' REV. A DATE 9/10

SPECIFICATIONS
 LOA - 24'0" BEAM - 16'4" / 8'5" FOLDED
 DRAFT - 13" HULL / 3'6" BOARD DOWN
 WEIGHT - 1600LB (DRY) PAYLOAD - 800 LB
 SAIL AREA - 240 SQ.FT. MOTOR - 4 TO 6 HP OB.
 PASSENGER CAPACITY - 6 PERSONS

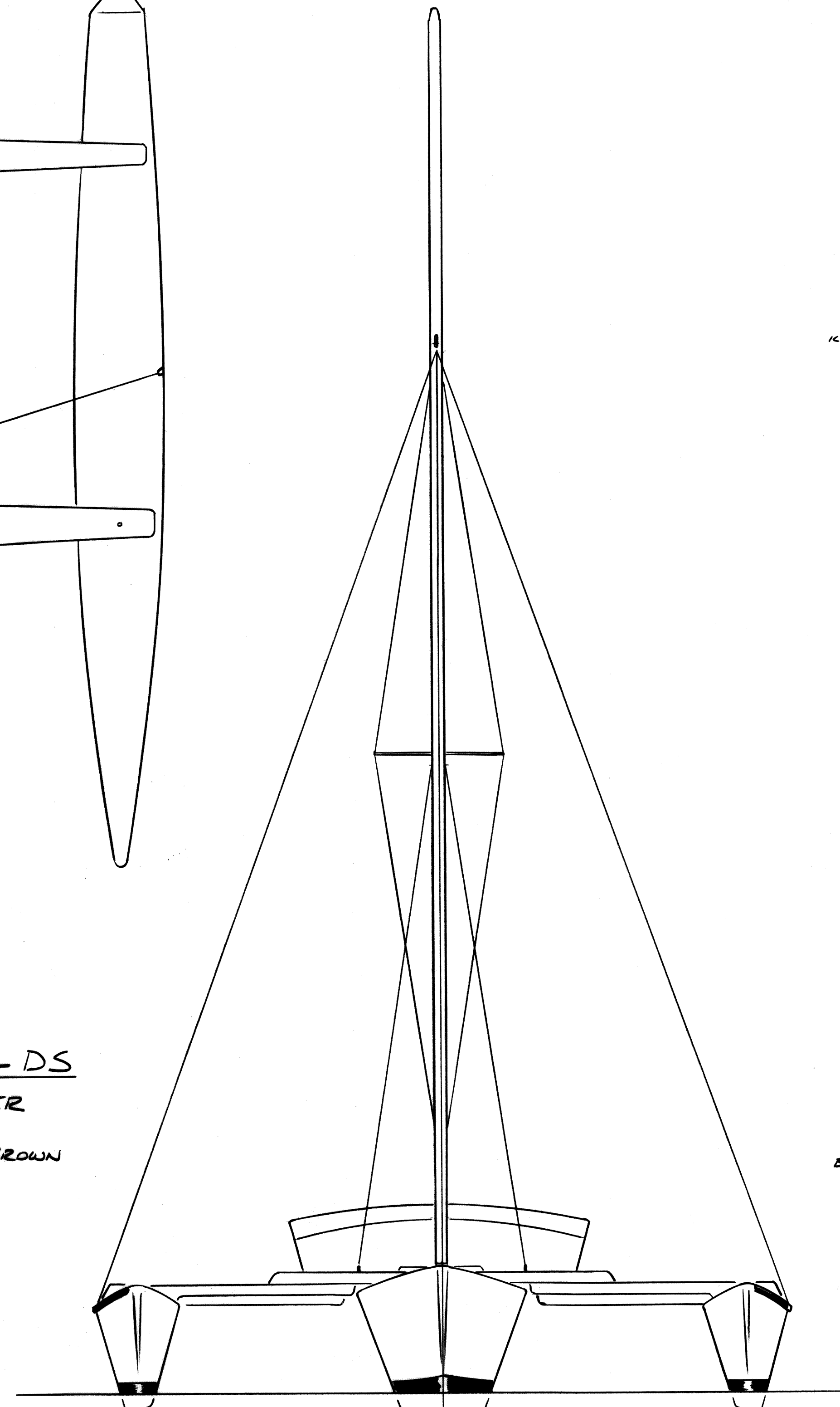
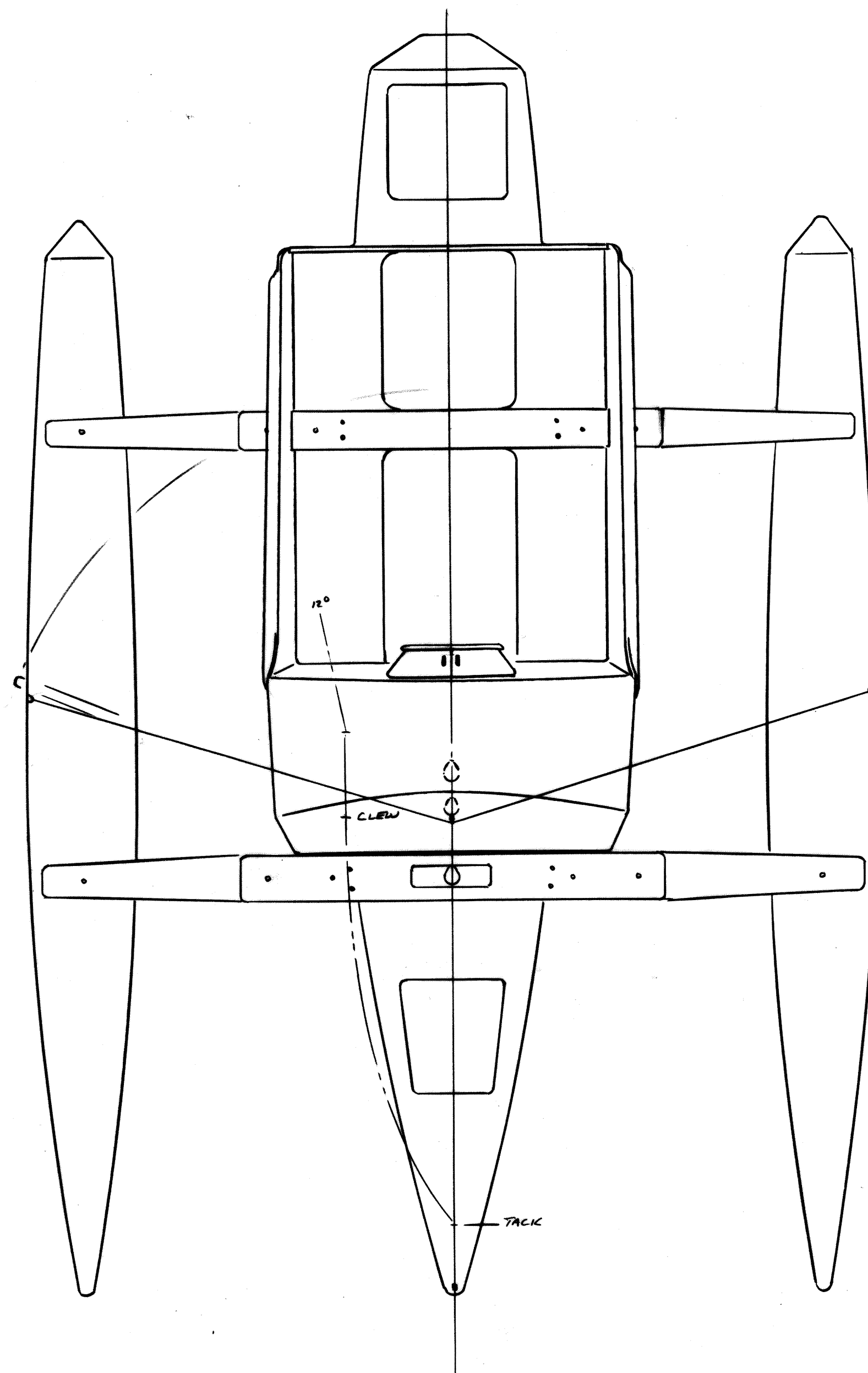
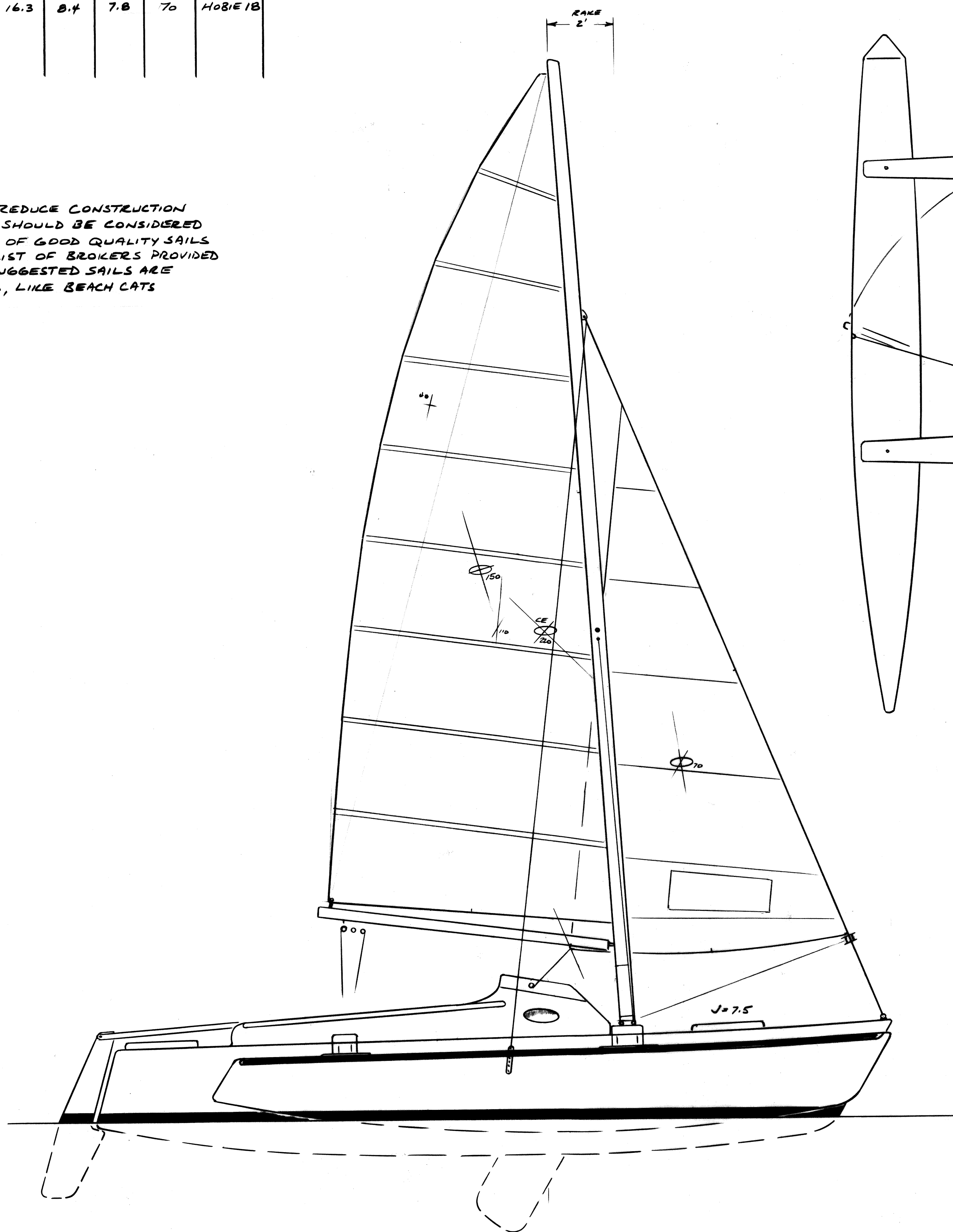
MISSION
 LOW COST, EASY TO BUILD FROM COMMON MATERIALS. SPACIOUS DAYSAILER THAT FOLDS TO TRAILER OR SLIP WIDTH. BEACHABLE, HIGH STRENGTH DESIGN WITH HIGH SPEED POTENTIAL.



SAIL	WT.	LUFF	LEECH	FOOT	L.P.	AREA	DESIGN
MAIN	4.5	26.0	26.0	8.4	-	150	HOBIE 18
JIB	4.5	17.3	16.3	8.4	7.8	70	HOBIE 18

USED SAILS

TO SIGNIFICANTLY REDUCE CONSTRUCTION COSTS, USED SAILS SHOULD BE CONSIDERED. LARGE INVENTORIES OF GOOD QUALITY SAILS EXIST - SEE THE LIST OF BROKERS PROVIDED WITH YOUR PLANS. SUGGESTED SAILS ARE SHOWN, BUT OTHERS, LIKE BEACH CATS, MAY BE USED.



SEACLIPPER 24 DS
TRAILERABLE DAYSAILER

by JOHN MARPLES & JIM BROWN

SAIL NO. _____

BUILDER _____

SAIL PLAN	SCALE 1/2"=1'	DESIGN 164
SEARUNNER MULTIHULLS 17240 HILLCREST AVENUE SONOMA, CA. 95476 USA COPYRIGHT © 2010 J.R. MARPLES	DR JRM	SL 24 DS SHEET
	REV DATE A 5/10	2