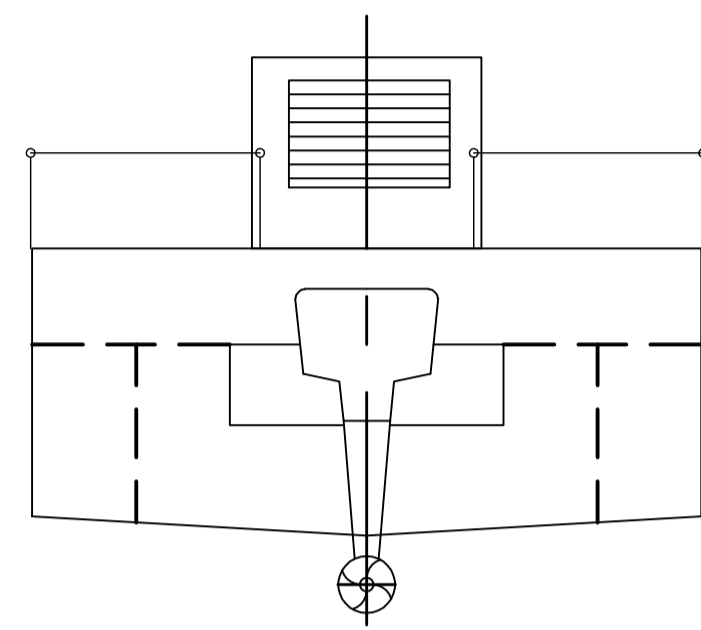
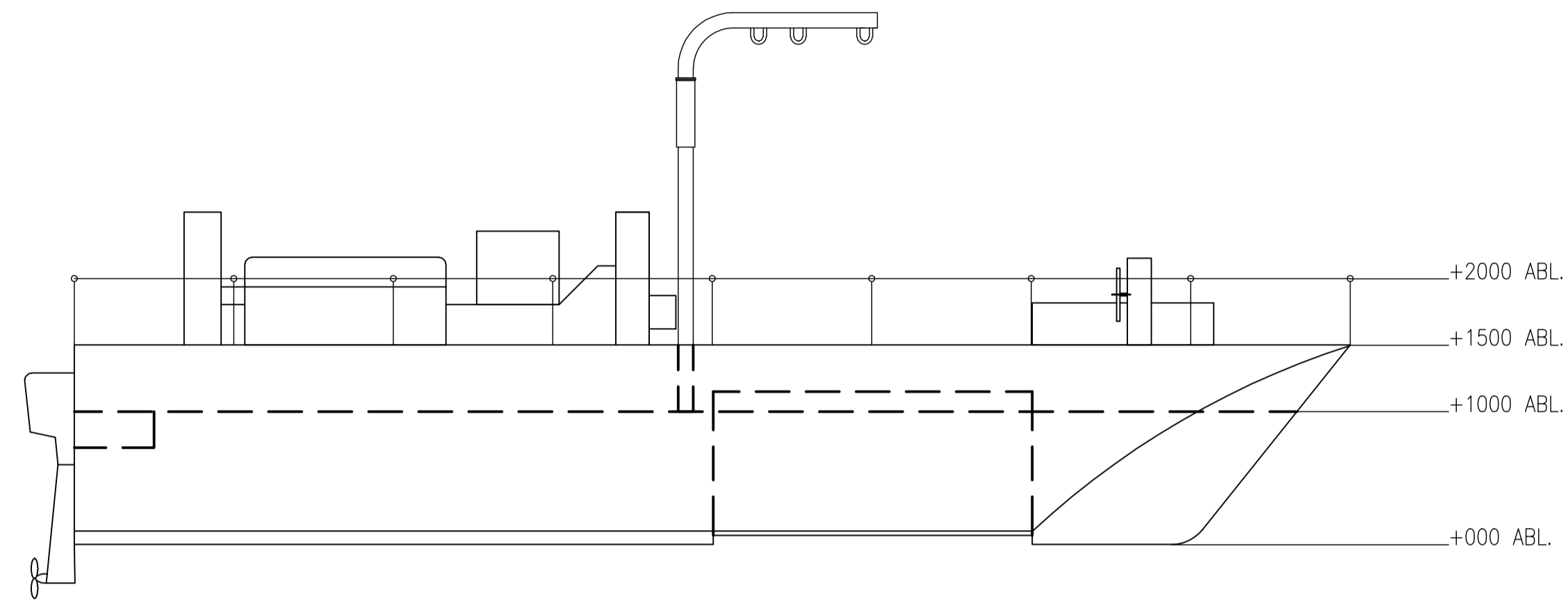


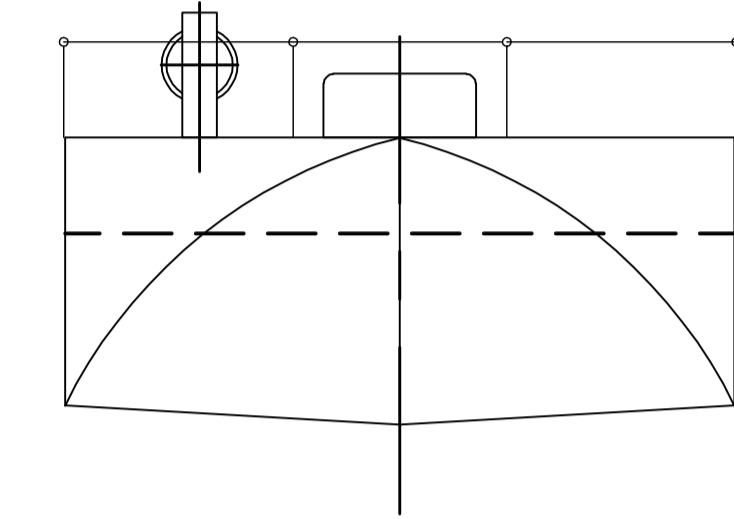
OVERALL LENGTH 9,6m
 OVERALL WIDTH 3,5m
 DRAFT (ESTIMATED) 0,35m
 DISPLACEMENT (ESTIMATED) 6700 Kg



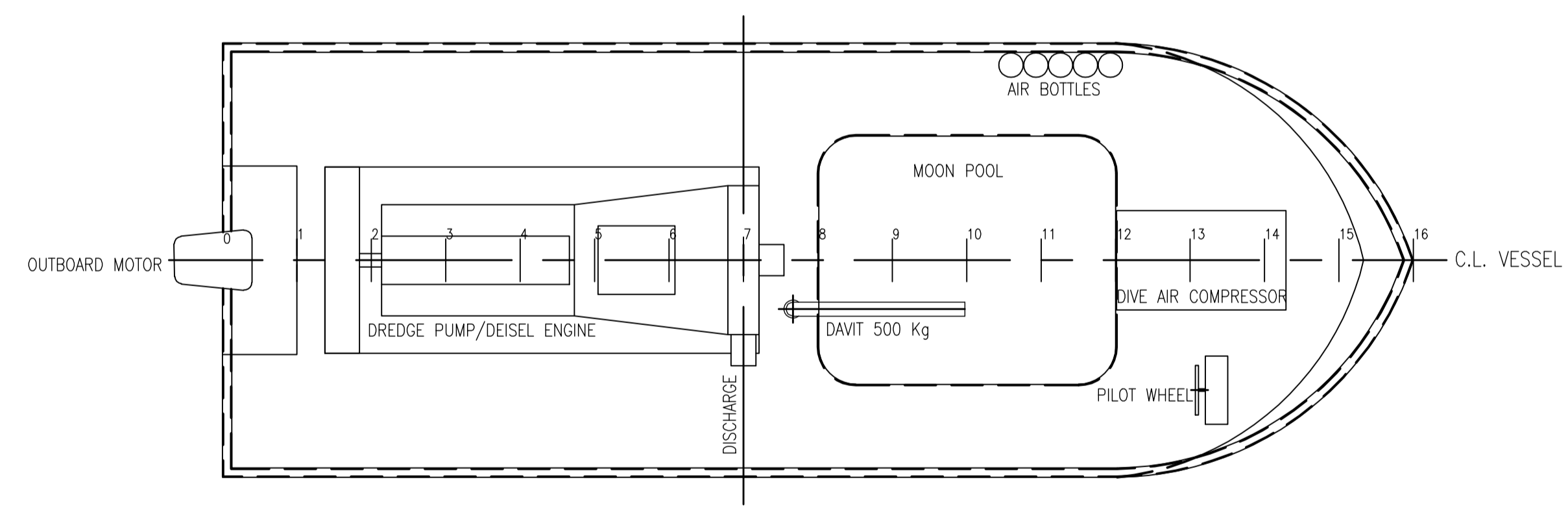
AFT END VIEW



ELEVATION STBD. SIDE



FWD. END VIEW



PLAN ON DECK

						Drawn	MVE	20/08/09
						Checked		
						DO Manager		
						Design Engineer		
						Project Engineer		
						Project Manager		
							CLIENT	
							Project Manager	
							Project Engineer	
DRG No	TITLE	REV	DATE	PROPASAL	DESCRIPTION	INIT	APPV'D	Project Engineer
	REFERENCES				REVISIONS			NAME DATE

COPYRIGHT
 This drawing and copyright therein is the property of H.M.J VAN EDEN and is subject to return on demand, and may not be passed on to Any third party, or used directly or indirectly for any other purpose than the Manufacture or construction of the equipment and / or plant of the specified Project. No responsibility for any consequential damages Resulting from drawing errors.

CLIENT	MARIO ASSAM
PROJECT	MAINTENANCE BARGE
LOCATION	CAPE TOWN
TITLE	MAINTENANCE BARGE
Drg No. MVE1/2009 - - - -	

COPYRIGHT	
SCALE:	1:50
ORIGINAL DRG. SIZE	A1
SHEET	1
REV.	A