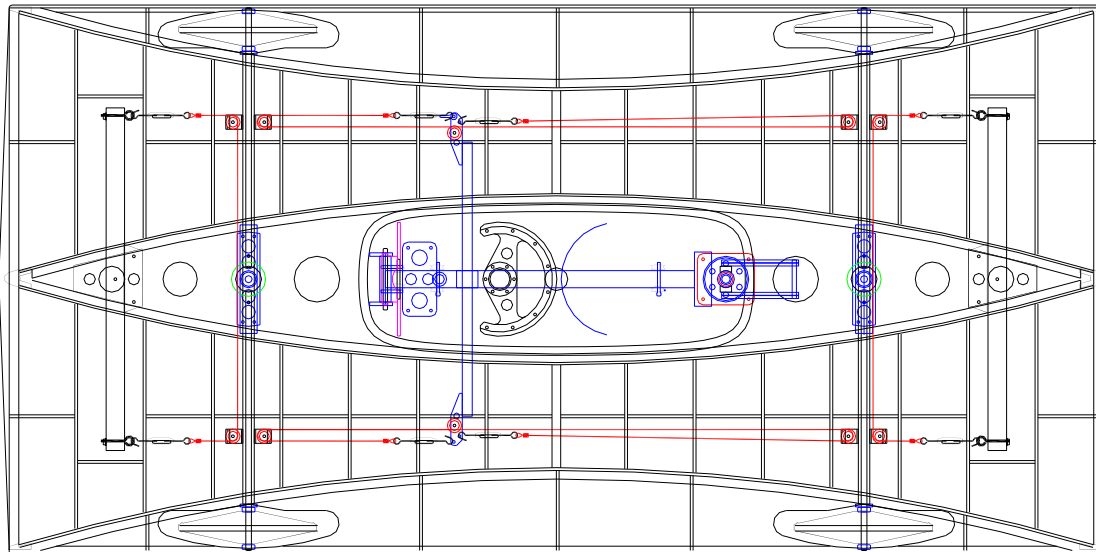
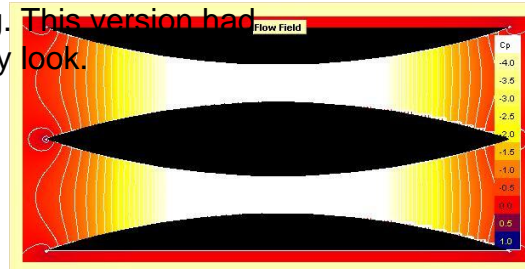


Pegalys I was a soapbox racer built when the pilot was only four years old. It proved that the entire frontal area can be absorbed and channeled into the interior of the vehicle with no detrimental effect on drag. This version had four wheel steering, and a very austere stealthy look.



SPECIFICATIONS

- WEIGHT: 175 LBS.
- WHEELBASE: 54 INCHES
- LENGTH: 98 INCHES
- WIDTH: 48 INCHES
- HEIGHT: 24 INCHES
- MAXIMUM WEIGHT: 275 LBS.

