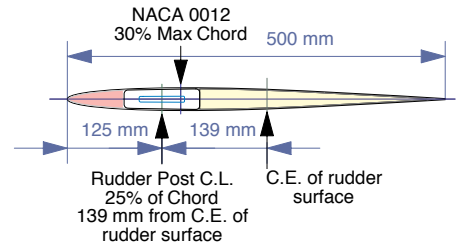
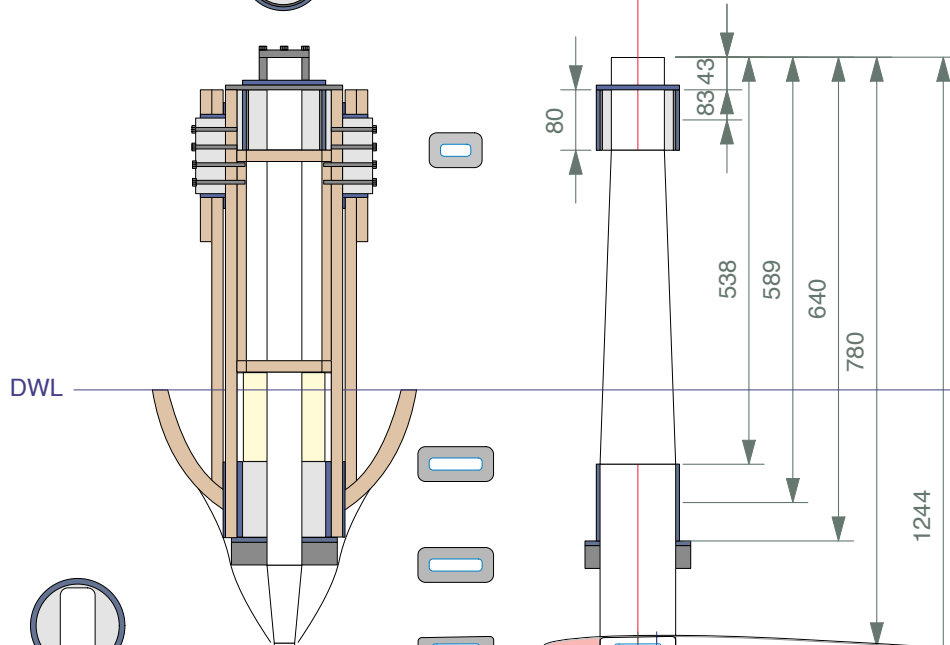


Top Bearing

UHMW-PE Bearing Stock
 ø 99 mm [3.898 in.] I.D.
 ø 112 mm [4.425 in.] O.D.

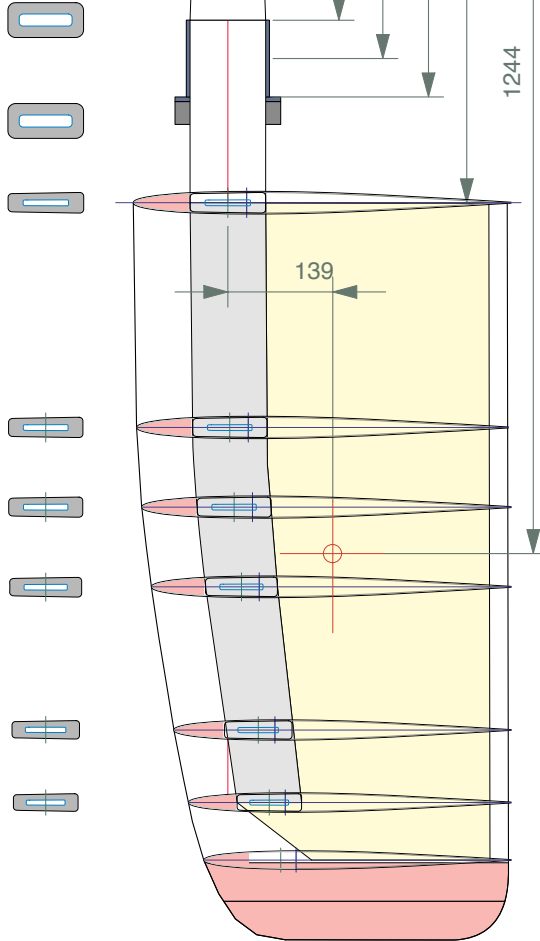
Machined Dimensions
 ø 100 mm [3.937 in.] I.D.
 ø 110 mm [4.330 in.] O.D.



Bottom Bearing

UHMW-PE Bearing Stock
 ø 110.4 mm [4.385 in.] I.D.
 ø 127.9 mm [5.035 in.] O.D.

Machined Dimensions
 ø 110 mm [4.330 in.] I.D.
 ø 125 mm [4.921 in.] O.D.



Area forward of rudder CL: 86796.684 sq mm

Area behind rudder CL: 446107.46 sq mm

$(86796.684 / 446107.46) \times 100 = 19.4564\%$

