

80-250 oz-in Continuous Torque



Key Performance Features

- High Energy Neodymium Magnets
- Peak Torque to 1700 oz-in
- Excellent Torque to Weight Ratio
- Encoder Ready
- Low Voltage High Performance Design Is Available
- 12-120VDC Typical

S28 BRUSHED SERVO MOTOR SERIES

Motor Characteristics

FRAME SIZE	STACK LENGTH	Peak Stall Torque (Tp) oz-in	Cont. Stall Torque (Tc) oz-in	Rotor Inertia (Jm) oz-in-sec ²	Friction Torque (Tf) oz-in	Thermal Resistance (Rth) degC/Watt	Max Recommend Speed RPM	Max Winding Temp C°	Power Range W	Weight lb
S28 -- 100		900	80	0.01	6	3.7	4,000	155	80	3
S28 -- 200		1300	130	0.02	7	2.9	4,000	155	150	4
S28 -- 300		1500	200	0.025	8	2.3	4,000	155	200	5.5
S28 -- 400		1700	250	0.04	9	1.8	4,000	155	250	6.8

Sample Windings

CONSULT MAGMOTOR APPLICATION STAFF FOR OTHER AVAILABLE WINDINGS

	S28 - 100				S28 - 200				S28 - 300				S28 - 400			
	E	G	I	K	E	G	I	K	E	G	I	K	E	G	I	K
Torque Constant (Kt) oz-in/amp	8.8	14.1	22.9	36.4	17.5	27.9	44.8	71.1	27.5	40.6	65.6	104.1	34.4	56.1	89.0	134.6
Voltage Constant (Ke) Volts/kipm	6.50	10.4	17.0	26.9	13.0	20.6	33.1	52.6	19.3	30.0	48.5	77.0	25.4	41.5	65.8	99.5
Term Resistance (Rt) Ohms (cold)	0.5	0.9	1.3	3.4	0.8	2.0	3.4	7.0	0.8	1.4	4.5	9.8	0.83	2.2	5.5	12.2
Peak Current (A) Amps	60	36	23	15	60	36	23	15	60	36	23	15	60	36	23	15
Cont. Current (A) Amps	9	5	3	2	9	5	3	2	9	5	3	2	9	5	3	2

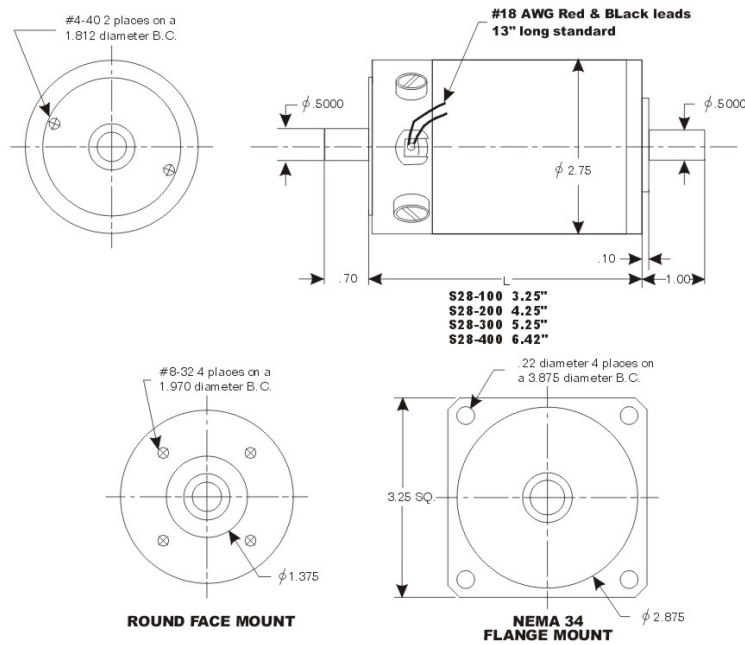
VALUES AS LISTED ARE TEST CONDITIONS. ACTUAL RESULTS MAY VARY

▼ **S28 Series Options**

- Optical Encoders
- Tachometers, Brakes and Gear Boxes
- IP 65 Sealing
- Custom Cables and Connectors
- NEMA 34 Flange Mounting

▼ **Typical Applications**

- Packaging Machines
- Machine Tools
- Coil Winders
- Electric Vehicles
- Material Handling Equipment
- Textile Machines



***Feedback Options See Page 3**

***Motor Selection Assistance**

Tel: 508-929-1400
 Fax: 508-929-1407

Toll Free Solutions Line: 86-Magmotor
 www.magmotor.com