

1

2

3

4

5

6

RevNo	Revision note	Date	Signature	Checked
-------	---------------	------	-----------	---------

A

B

C

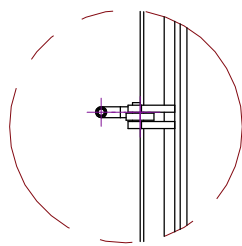
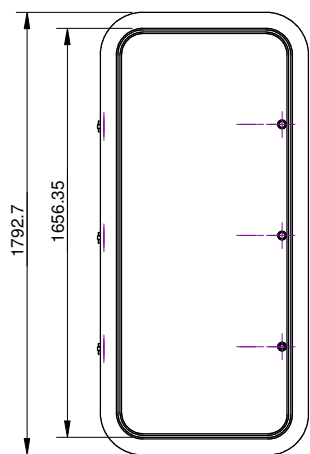
D

A

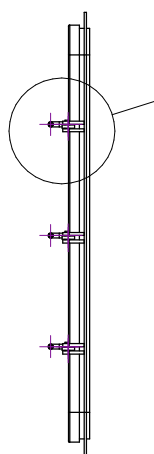
B

C

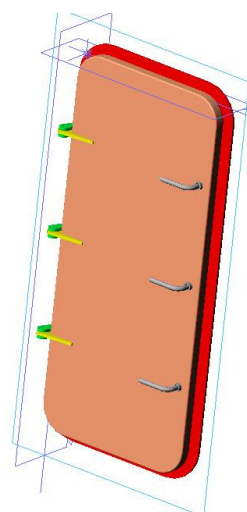
D



Detail B



B



Qty	Item	Part No	Part Name	Rev	Comment
6	1		WTD_TAB		
3	2		HANDLE_DOG		
3	3		WTD_HNGES		
1	4		WTD_FRAME		
1	5		WTD_DOOR		

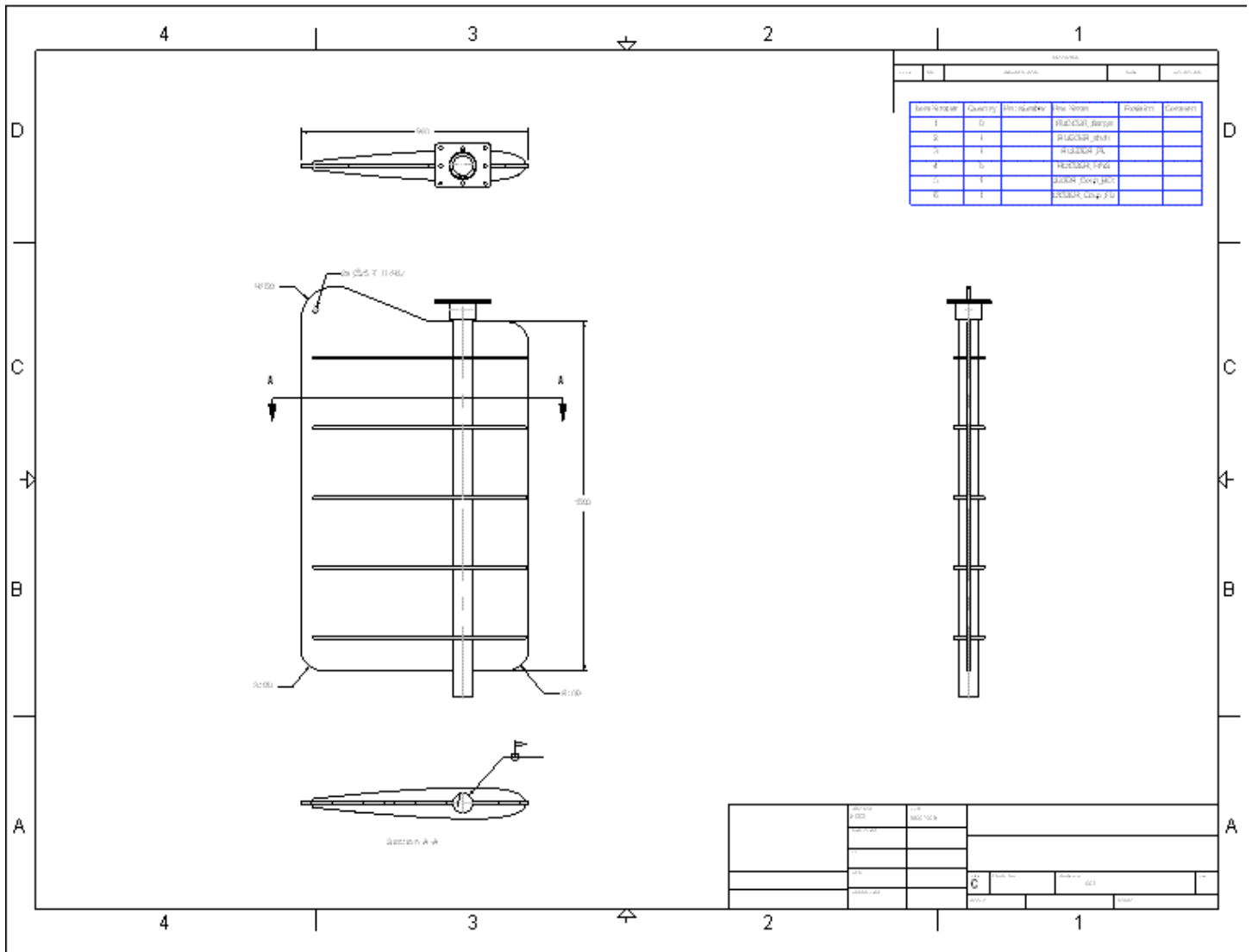
Itemref	Quantity	Title/Name, designation, material, dimension etc			Article No./Reference	
Drawn by	Checked by	Approved by - date	File name	Date	Scale	
						Edition
						Sheet

1

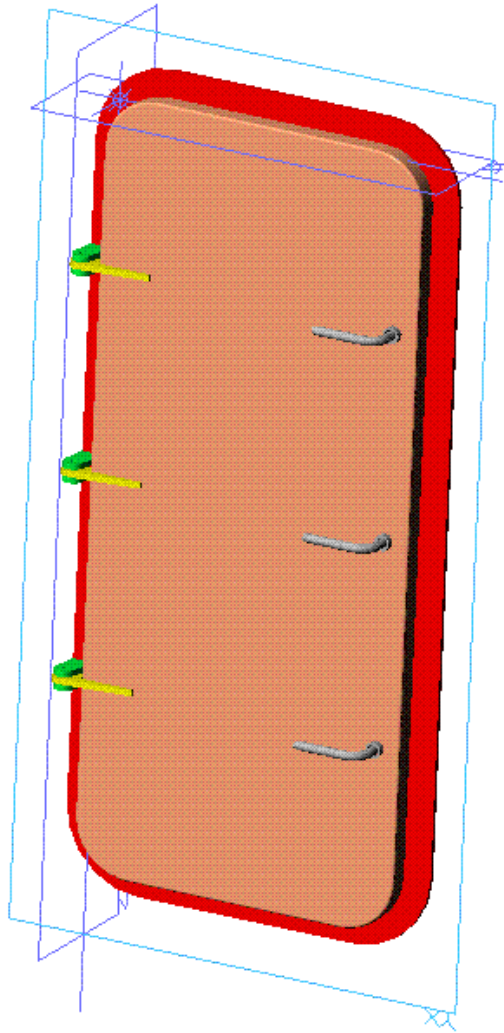
2

3

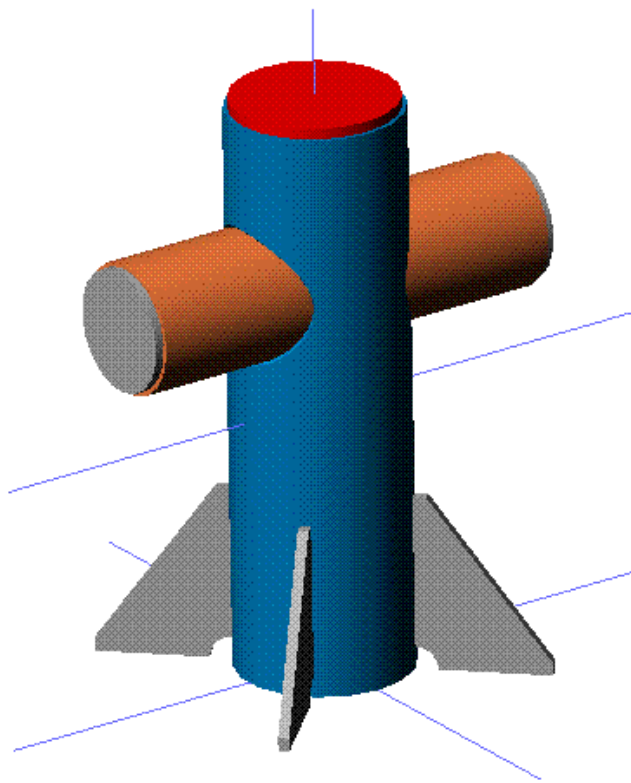
6



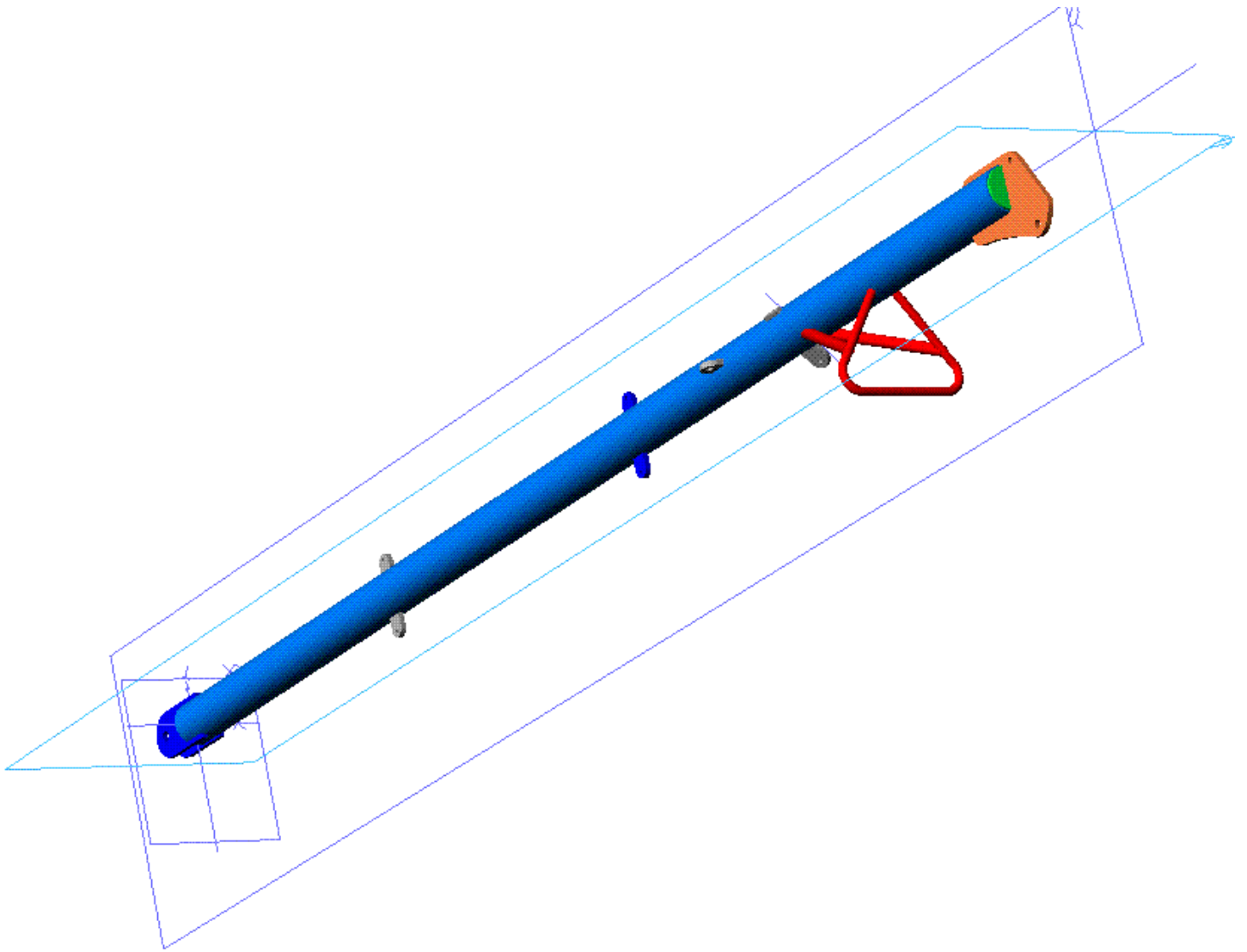
Rudder_DWG.gif



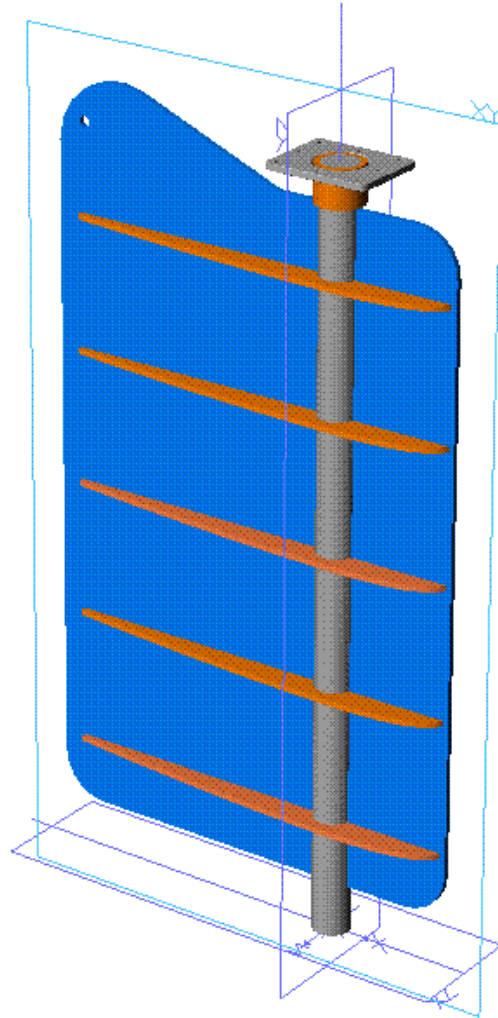
WTDOOR_02_ASSY.gif



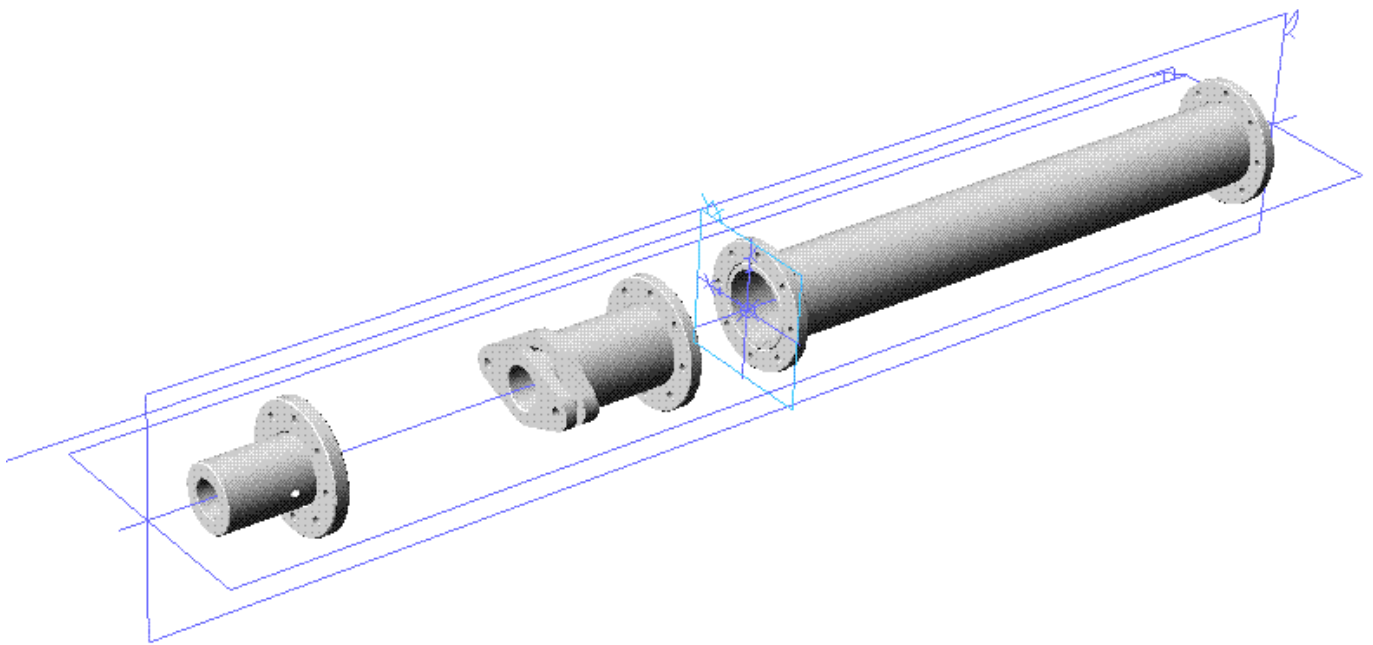
BITT_Single_Assy.gif



BOOM_ASSY.gif



RUDDER_ASSY.gif



SHAFT_TRAIN_ASSY.gif