

April 3, 1962

C. D. TOWN

3,027,863

FEATHERED PADDLE-TYPE PROPULSION MECHANISM

Filed June 22, 1959

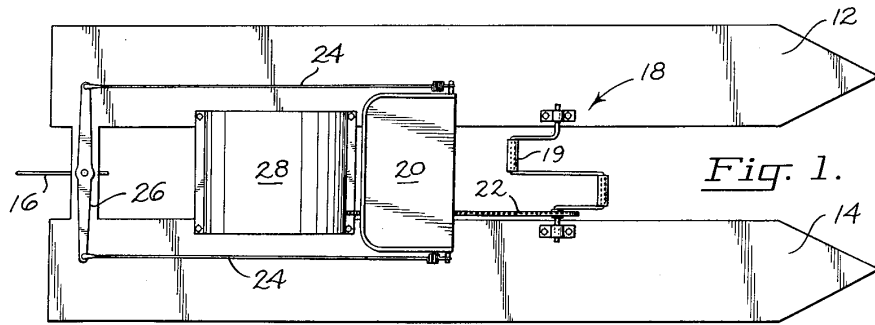


Fig. 1.

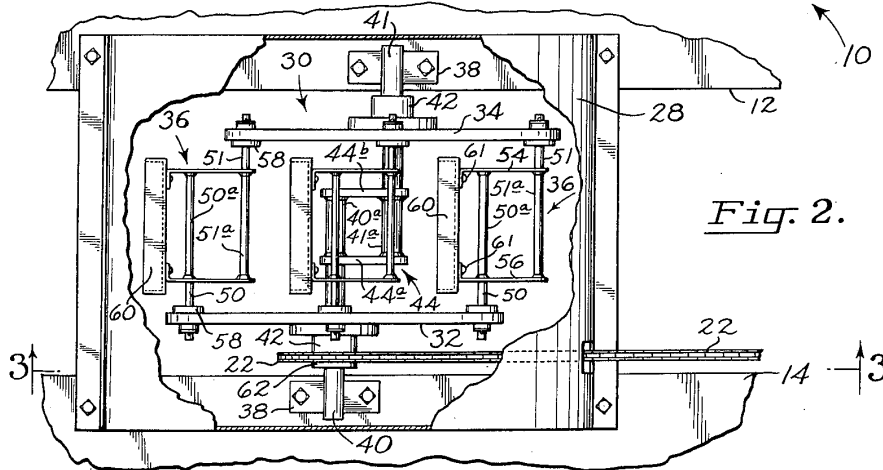


Fig. 2.

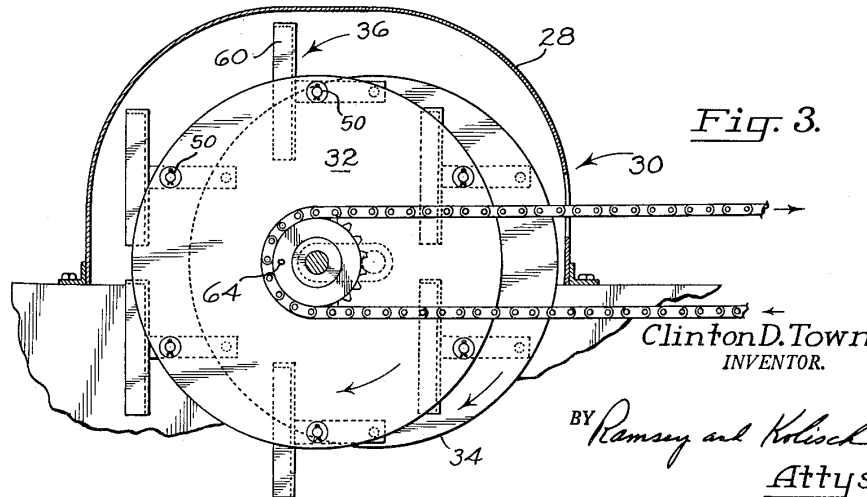


Fig. 3.

Clinton D. Town
INVENTOR.

BY Ramsey and Kolisch
Attys.